



RHINO-RACK

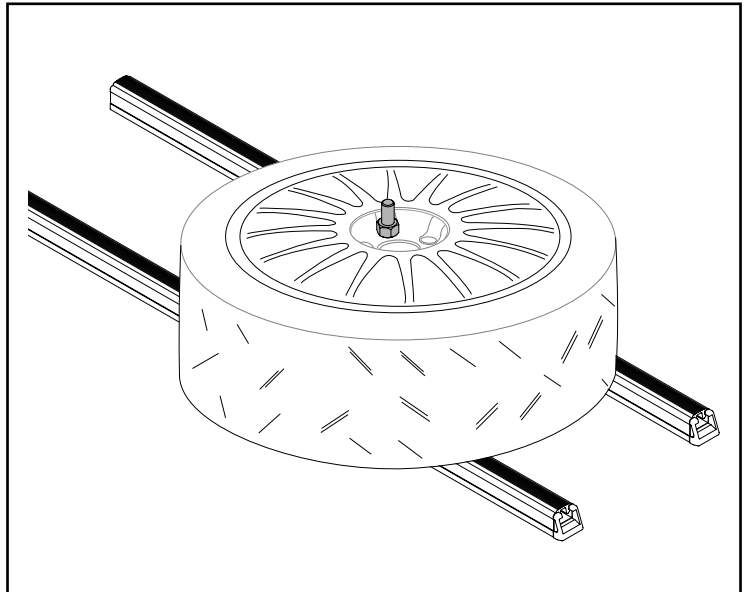
Aerodynamic & Heavy Duty Roof Rack Systems

RJBS, RJBL - Rhino J Bolt Short, Rhino J Bolt Long.

Important: Please read these instructions carefully prior to installation.
Please refer to your fitting instruction to ensure that the roof racks are installed in the correct locations.
Check the contents of kit before commencing fitment and report any discrepancies.
Place these instructions in the vehicle's glove box after installation is complete.

Parts List

Item	Component Name	Qty	Part No.
1	Rhino J Bolt Short 205mm	1	C579
2	Rhino J Bolt Long 250mm	1	C578
3	M12 Nut	1	C580
4	Fitting Instruction	1	RS-334



1 or 2 _____
3 _____



Tools Required: 19mm Spanner or 19mm Wheel brace.

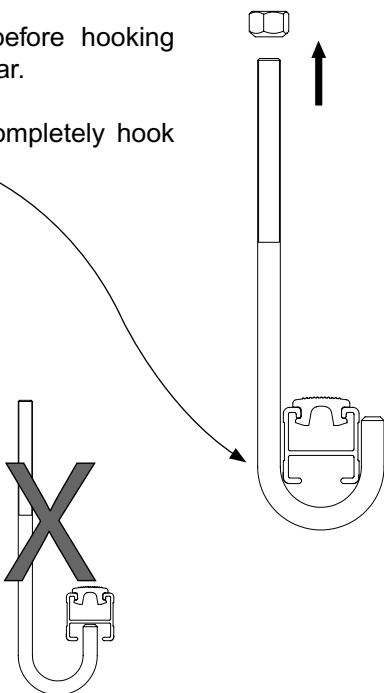
NOTE: Rhino J Bolt is to be fitted to Rhino cross bars only.

1 Remove nut.

Remove the nut before hooking around the Rhino bar.

The J Bolt must completely hook around the bar.

DO NOT locate the J Bolt this way.



2 Attach the wheel.

The cross bars will need to be adjusted to a suitable width apart for the wheel to rest on. Lay the wheel face up. Feed the J Bolt through one of the wheel stud holes. Fasten the nut using a 19mm spanner or wheel brace if you have the correct size.

