

USER GUIDE.

TJM ALLORA ALUMINIUM ROOF TOP TENT



TAKE THE LEAD.

f @ c TJM4x4 | www.tjm.com.au

TJM
4X4 EQUIPPED

SPECIFICATIONS.

Size	Open Size: 250cm (L) x 135cm (W) x 156cm (H) Closed Size: 225cm (L) x 135cm (W) x 16cm (H) Internal Head Height: 143cm
Weight	Tent Weight: 83KG Ladder Weight: 6.8KG
Materials	<ul style="list-style-type: none">• Main Tent Fabric: 320gsm Ripstop Canvas with Black PU Coating 2500mm• Rainfly Fabric: 420D Polyester Oxford Fabric PU3000mm• Mesh Screen Windows and Doors: Polyester 120GSM• Mattress: 210cm (L) x 125cm (W) x 5cm (H), Memory Foam and (35D) Foam Mattress• Ladder: Aluminium Telescopic, 125kg Capacity• Shell: Aluminium Extrusion, Honeycomb Panel and Marine Carpet
Features	<ul style="list-style-type: none">• Compact Telescopic Ladder with Angled Rungs• Quick and Easy Set Up and Pack Up• Spacious enough for 2 Adults• Multi Storage Pockets
Parts Included	<ul style="list-style-type: none">• Tent (including):<ul style="list-style-type: none">• Quilted Mattress• 10mm Anti Condensation Mat• Power Outlet (1 x 12V Cigarette Lighter Socket, 2 x 5V USB A Outlet) Via 50A Anderson Plug• Tri Colour LED Light Strip (via USB A Plug)• Roof Tensioner• 2 x Shoe Bags• Ladder• Ladder Storage Bag• Mounting Kit<ul style="list-style-type: none">• 6 x Saddle Clamps• 12 x M8 x 1.25 x 30mm T Bolts• 12 x M8 Flat Washers• 12 x M8 x 1.25 Flange Nut

SHELL IS
CONSTRUCTED
FROM ALUMINIUM
EXTRUSION.



INTERNAL
STORAGE POCKETS.

RAINFLY:
420D POLYESTER
OXFORD FABRIC
PU3000MM.



STARGAZING
WINDOW.

LARGE
ENOUGH TO
FIT 2 ADULTS.



REMOVABLE QUILTED
MATTRESS COVER.

320GSM RIPSTOP
CANVAS.

SUPER FINE MESH
SCREEN DOORS
AND STARGAZING
WINDOW.



HONEYCOMB
INSULATION TOP AND
BOTTOM OF TENT.



WARNING.

- Keep all flames and heat sources away from tent fabric.
- Do not operate any fuel burning devices inside tent.
- Do not smoke in tent.
- Be aware of any airborne burning embers that may come in contact with tent.
- Keep fire extinguisher or bucket of water nearby.

CARE INSTRUCTIONS.

- Clean with light soapy water and rinse with water.
- Prolong life of product, store product away from direct sunlight, wet or humid conditions.
- Dry product completely before storing.

PRIOR TO FIRST USE.

- Check all parts are included as per parts list.
- Season tent to ensure a watertight seal, refer to "Seasoning" step.

WARRANTY.

Refer to TJM website.

IMPORTANT INFORMATION.

Read and follow these instructions clearly, improper installation or use of your tent may result in serious injury or even death.

- Consult with your vehicle manufacturer and roof rack manufacturer for loading carrying capacity.
- Periodically check that all fasteners are secure on your tent and vehicle.
- Be aware your vehicles braking and handling characteristic will change after installing tent, adjust your driving behaviour accordingly.
- Be aware that with the Roof Top Tent fitted to your vehicle, the overall clearance height of your vehicle has increased.
- Storing tent wet should be avoided. If however, circumstances do not allow you to completely dry tent prior to packing away, unpack and open tent as soon as possible (no longer than two days) and allow tent and mattress to dry completely to prevent moisture damage.
- If tent is stored closed for extended periods of time, it is important to open tent and dry tent and mattress periodically.

SEASONING.

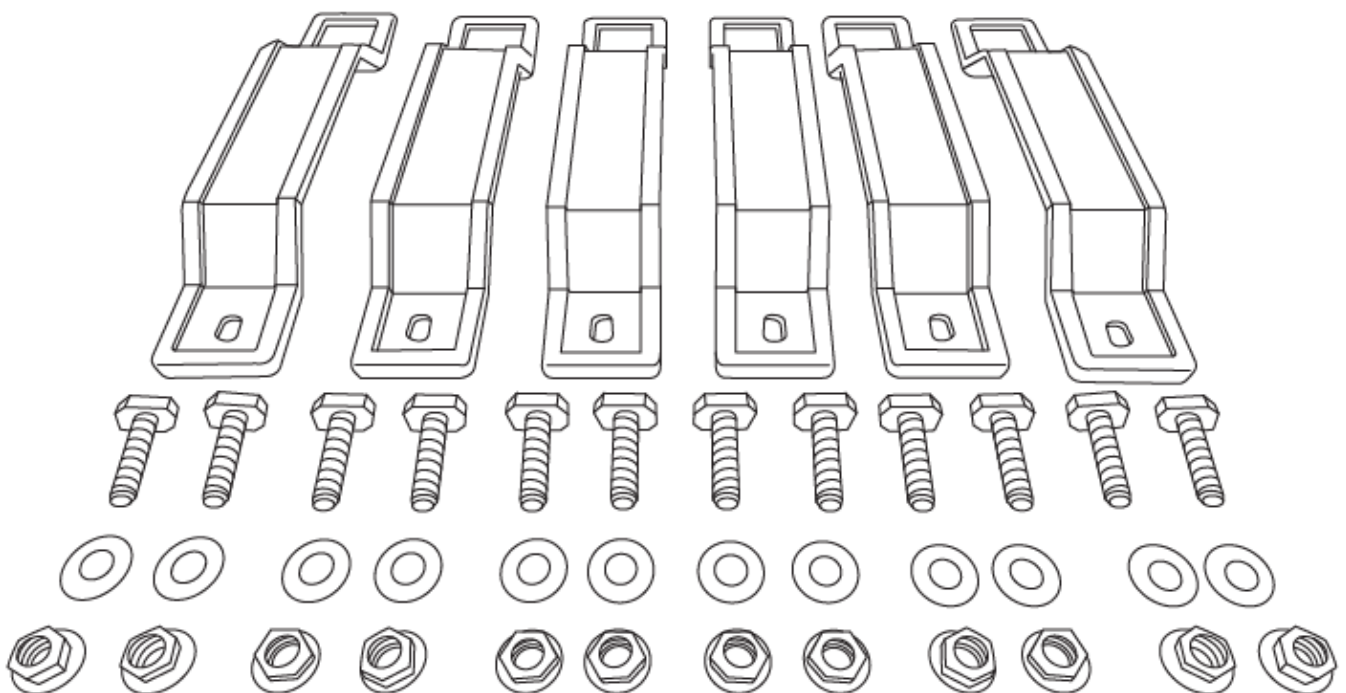
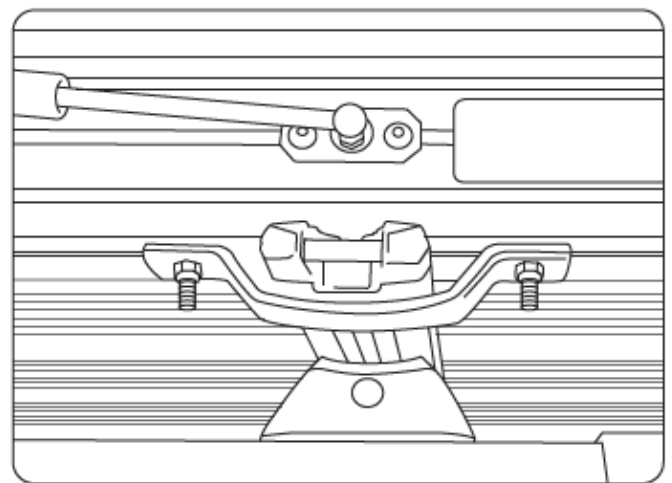
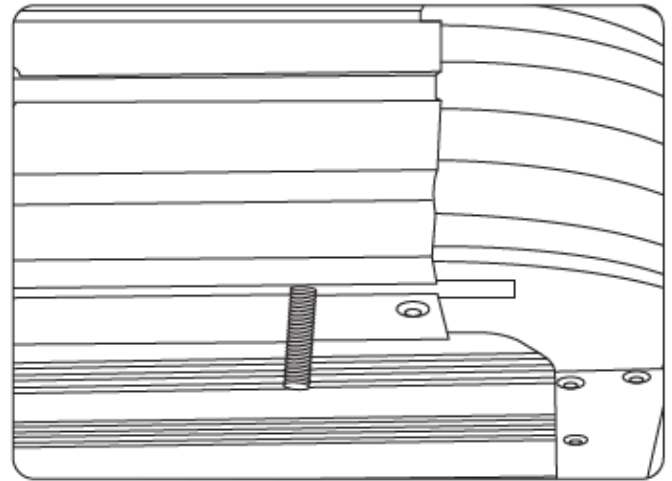
Seasoning the Tent will allow the canvas fabric to swell around tiny needle holes in fabric caused during the sewing process, providing a watertight seal.

1. Erect the tent and ensure the doors and windows are closed.
2. Fold away the rainfly exposing main tent.
3. Completely soak tent fabric with water from hose or rain and allow tent to completely dry.
4. Repeat wetting and drying process 2 to 3 times.
5. Allow tent to completely dry before reattaching the rainfly cover and packing away.

FITTING TENT ON ROOF RACK/BAR.

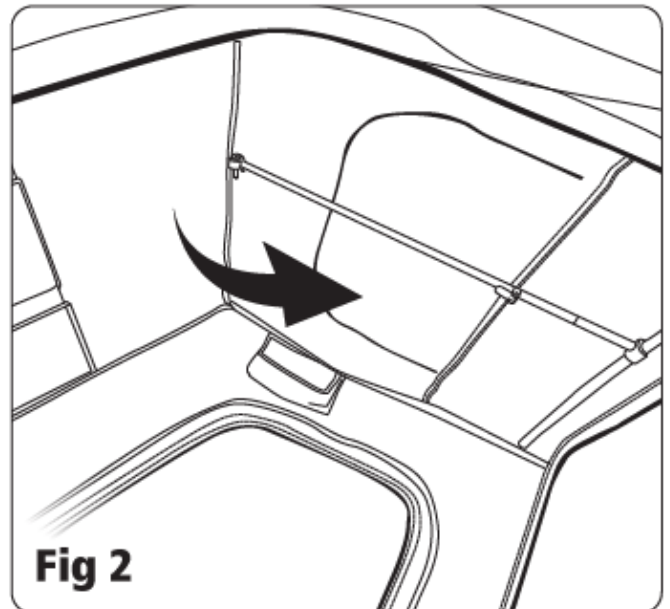
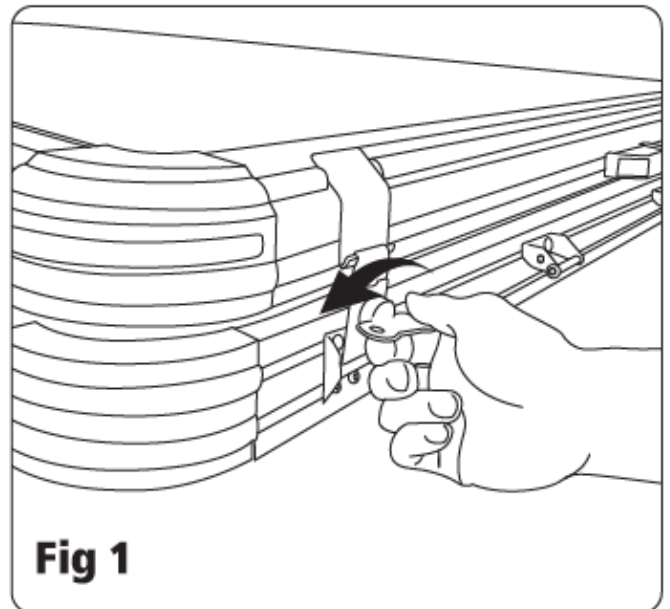
1. With a minimum of 4 people at each corner or a lifting aid, lift tent onto vehicles roof rack or roof bars.
2. Position the tent in the desired position ensuring the tent is supported a minimum of 500mm from either end of tent.
3. Slide M8 x 1.25 x 30mm T bolts into the track channel under the outer frame of tent base.
4. Using the saddle clamps position over roof rack or roof bars and lightly tighten with M8 nuts.
5. If fitting on vehicles with a lift up tailgate, ensure tailgate does not foul on roof top tent when opened.
6. Check position of tent, before tightening the M8 nuts.

Periodically check that all fasteners are secure on your tent and vehicle.



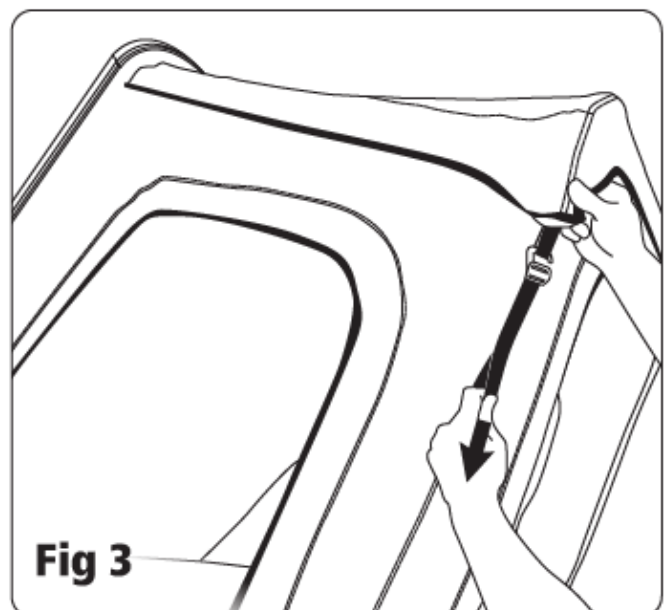
SET UP.

1. Ensure tent is securely mounted to your vehicle.
2. Loosen hook and loop strap securing ladder, attach ladder to brackets on tent.
3. Fully extend ladder and adjust ladder so it is set between 60°-75° to ground.
4. Open the 2 butterfly latches and push the lid up and allow the gas struts to assist with fully opening lid. See Fig 1.
5. Pull bungee cord down around the base of roof top tent.
6. From inside the tent, push the canopy hoop frame out over the rear door and tension tent using Roof Tensioner. The Roof Tensioner also prevents lid of tent inadvertently closing. See Fig 2.
7. Ensure the rainfly is attached to hooked on tent and properly tensioned. See Fig 3.



PACKING AWAY.

1. Check fabric is dry and free of dirt and debris.
2. Reverse "Set Up" process.

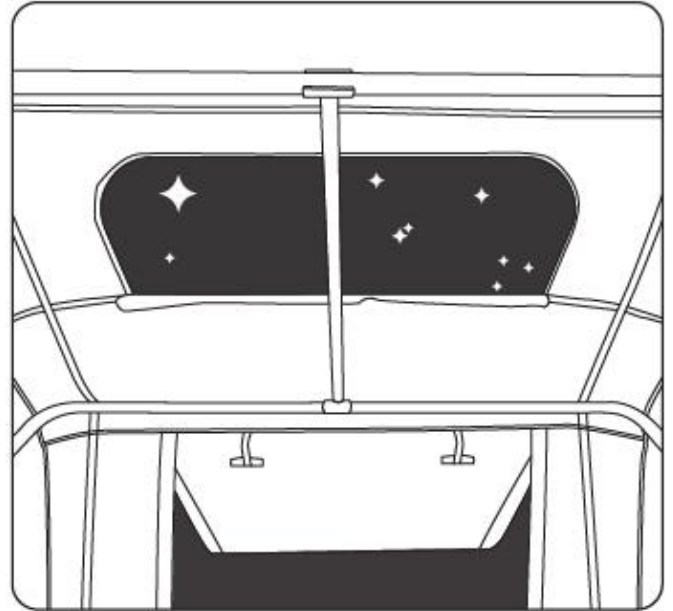


STARGAZING WINDOW.

To utilise Stargazing feature unzip and roll up stargazing window to expose mesh screen.

For an unobstructed view and provide additional ventilation:

1. Unzip the roof window and mesh screen to reveal a clear window from rainfly.
2. For an unobstructed view, detach the 2 clips holding the rainfly to the tent.
3. Neatly fold and tuck rainfly away from stargazing window.



Distributed by TJM Australia
17 Johnstone Road Brendale 4500

