

TJM PRO SERIES AIR TANKS.

PRODUCT INFORMATION



TAKE THE LEAD.

Facebook Instagram YouTube TJM4x4 | www.tjm.com.au

TJM
4X4 EQUIPPED

TJM PRO SERIES AIR TANKS.



COMPLIANT
WITH AUSTRALIA
STANDARD
AS2971-2007

The TJM Pro Series 2.5L and 5L Air Tanks deliver consistent high volume air output when partnered with a TJM Pro Series air compressor. Rated to a maximum working pressure of 150psi (1030kPa), the TJM Pro Series 2.5L and 5L Air Tanks are perfect for rapid tyre inflation, operating air powered tools, activating air actuated differential lockers and more.

OR
2.5L
5.0L
CAPACITY



QUALITY ASSURED

3YR
WARRANTY

Included in box

1 x TJM Pro Series 2.5L Air Tank
or 5L Air Tank
4 x Mounting feet and hardware

Compatible with

TJM Pro Series Single Compressor
TJM Pro Series Twin Compressor

Available separately

TJM Pro Series Airline Kit
TJM Pro Series Tyre Inflation Kit
TJM Pro Series Air Tank Airline Kit



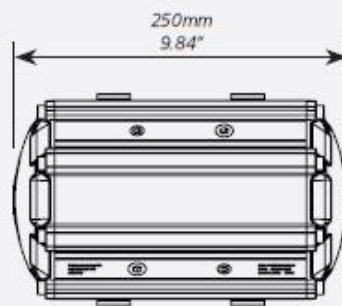
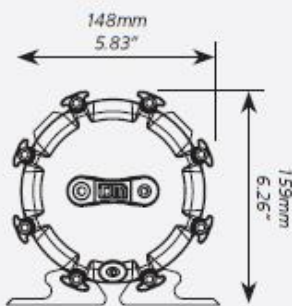
Important safety information

- Always wear safety glasses when using compressed air.
- Ensure air tank is not pressurised when removing port grub screws or disconnecting hoses and air tools.
- Do not artificially heat air tank with flame or other methods.
- Do not drill, puncture or modify air tank.
- Do not attempt to remove air tank end caps.
- Maximum tank pressure is 150 psi (1034 kPa).
- Maximum operating temperature is 90° C.
- Minimum operating temperature is -20° C.
- Air tank volume is 2.5 or 5 litres.
- Air tank should be mounted with drain plug at it's lowest position.
- If mounting air tank underneath vehicle, ensure it is not at the lowest point of the car and is well protected.
- Observe torque ratings for grub screws and pneumatic fittings in air tank body & end caps. (1/8" Plug = 5 to 6 N.m, 1/4" Plug = 6 to 8 N.m).
- Use recommended sealant on port grub screws (Loctite Thread Sealant 567).
- To ensure the air tank system is as efficient as possible and the compressor is not working more than required, check all pneumatic connections for air leaks (Suggestion is to spray connections with soapy water and observe for the formation of bubbles).

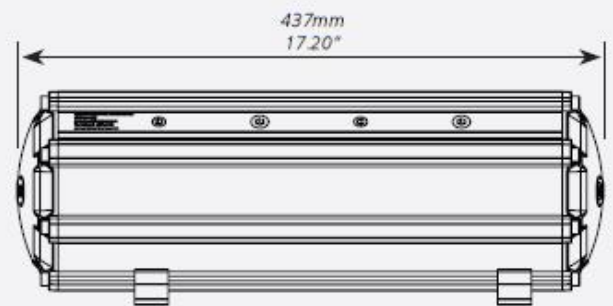
Specifications

Air tank capacity	2.5 litres (Approx. 0.66 US Gallon)	5 litres (Approx. 1.32 US Gallon)
External ports	<ul style="list-style-type: none"> · 4 x 1/4" BSPT · 4 x 1/8" BSPT air ports & 2 moisture drain ports 	<ul style="list-style-type: none"> · 6 x 1/4" BSPT · 6 x 1/8" BSPT air ports & 2 moisture drain ports
Maximum working pressure	150 psi	
Materials	6063-T5 extruded aluminium tank, ADC-12 cast aluminium end caps, stainless steel port plugs	
Warranty	3 years	

Dimensions



2.5L Air Tank



5L Air Tank

BLOW AWAY THE CHASING PACK.

TJM Pro Series air compressors deliver blazing fast inflation speeds thanks to their advanced componentry and innovative convection cooling systems, making them the perfect partner to a TJM Pro Series 2.5L and 5L Air Tank.

TJM Pro Series Twin Compressor



TJM Pro Series Single Compressor

TJM Pro Series Airline Kit

170
170 LITRES
PER MINUTE

86
86 LITRES
PER MINUTE